

Project:	
Type:	
Catalog #:	



SAL - MR16 SURFACE EMERGENCY REMOTE

The SAL series is a die-cast aluminum emergency lighting remote that features a powerful MR16 lamp. The SAL series are supplied standard in a white finish. The advanced rotary collar design locks the lamp and internal fixture parts into place while allowing for simple lamp replacement. The rotary collar system features a friction lock fully adjustable swivel - no tools are needed to aim the lamp. The operating temperature is from -22°F up to 104°F (-30°C to 40°C).

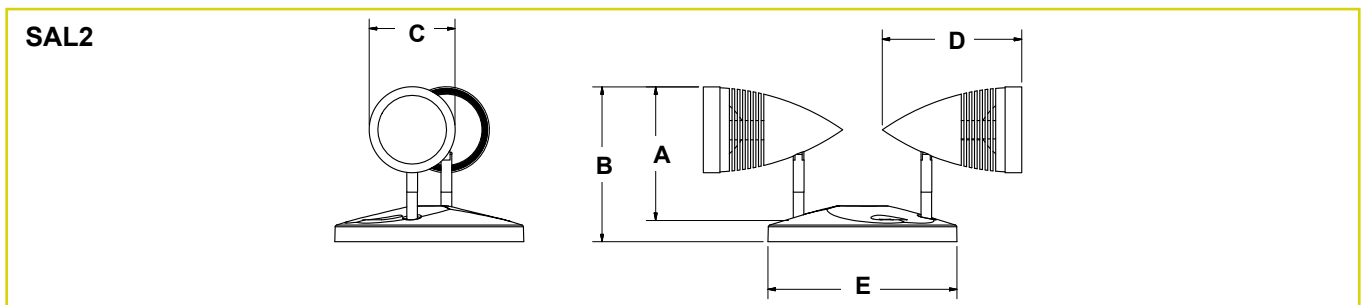
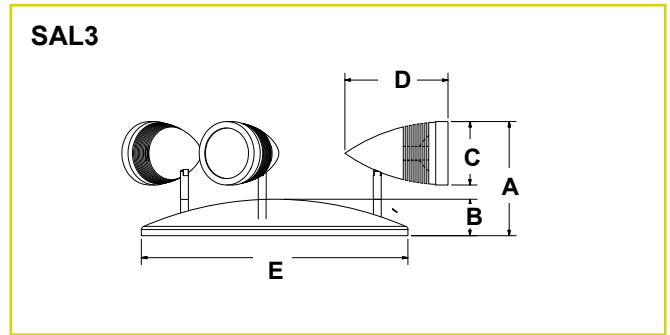
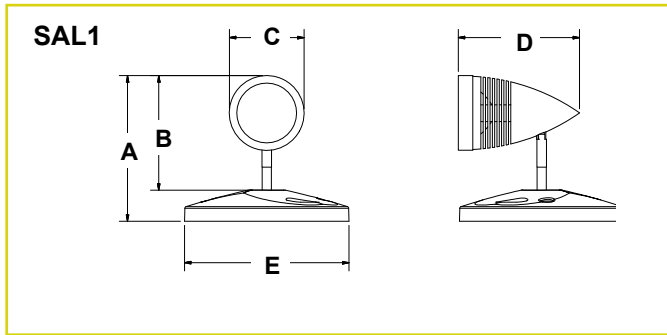
LAMP SELECTION

	6V	12V	24V
MR16	6, 10W	10, 12, 20, 35, 50W	12, 20, 35, 50W
MR16 LED	5, 7W	2, 5, 7W	5, 7W

ORDERING LOGIC

Series	Voltage / Wattage	Options
SAL1 (single head)	See lamp selection	BK (black remote and canopy)
SAL2 (double head)		LL (less canopy)
SAL3 (triple head)		

DIMENSIONS



MODEL	A	B	C	D	E
SAL1 (single head)	4 ³ / ₈ " (113mm)	3 ¹ / ₂ " (89mm)	2 ¹ / ₄ " (58mm)	3 ³ / ₄ " (94mm)	5" (127mm)
SAL2 (double head)	4 ¹ / ₈ " (104mm)	3 ¹ / ₂ " (89mm)	2 ¹ / ₄ " (58mm)	3 ³ / ₄ " (94mm)	5" (127mm)
SAL3 (triple head)	4 ¹ / ₈ " (104mm)	1 ¹ / ₄ " (33mm)	2 ¹ / ₄ " (58mm)	3 ³ / ₄ " (94mm)	9 ¹ / ₂ " (241mm)